

CASH® Magnum Auto

Spare parts list and diagram



©2018 Frontmatec Accles & Shelvocke Ltd

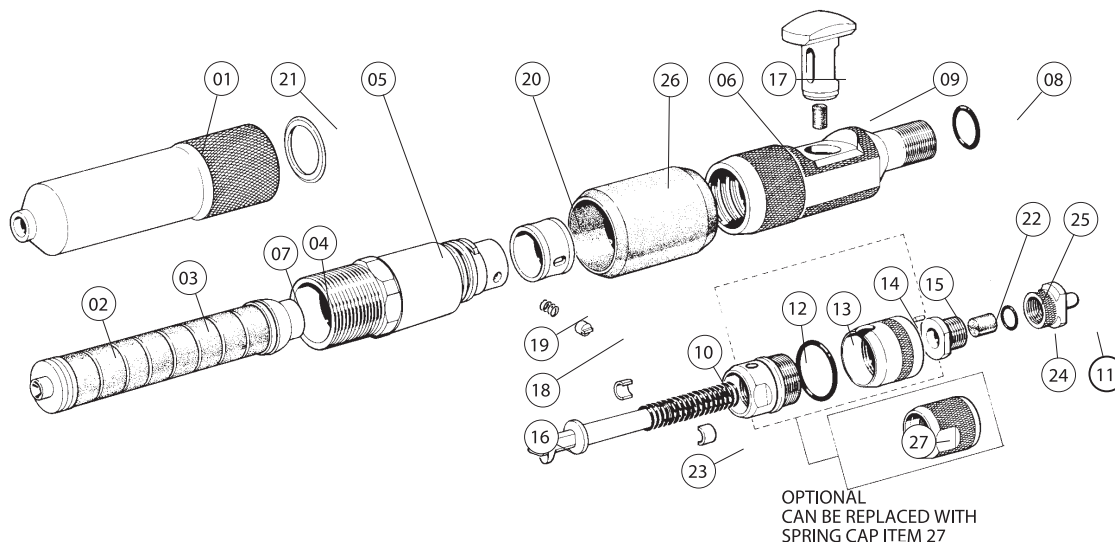


DO NOT ATTEMPT TO USE THESE STUNNING TOOLS UNTIL
YOU HAVE READ AND UNDERSTOOD THE USER MANUAL

ONLY EVER USE GENUINE ACCLES & SHELVOKE REPLACEMENT PARTS. NOT USING GENUINE PARTS MAY LEAD TO PREMATURE COMPONENT AND TOOL FAILURE, WHICH COULD ENDANGER THE OPERATOR AND THOSE IN THE IMMEDIATE VICINITY. IT WILL ALSO INVALIDATE OUR ORIGINAL EQUIPMENT WARRANTY.

ACCLES & SHELVOKE WILL ACCEPT NO LIABILITY IF ANY COMPONENTS OTHER THAN THOSE SUPPLIED BY ACCLES & SHELVOKE ARE USED WITH OUR ORIGINAL EQUIPMENT. THE RESULTANT LIABILITY WILL BE WITH THE END USER OR THE DISTRIBUTOR WHO SUPPLIED THE UNAPPROVED REPLACEMENT PARTS.

FIG. 11.01



©2018 Accles & Shelvoke

Item no.	Part description	Qty per set	SPARE PART BY PRODUCT CODE			
			5652AS	5652R	5660	5660S
1	Barrel	1	5723		5727	
2	Stop washer	3	5369			
3	Recuperator sleeve	8	5376			
4	Bolt	1	5684			
5	Breech	1	5724R		5734R	
6	Breech cap	1	5725		5707	
7	Flange washer	1	5403			
8	Small O-ring	1	5627			
9	Trigger spring	1	5628			
10	Firing pin spring	1	5755			
11	Pull	1	5702			
12	Cap inner	1	5693			
13	O-ring	1	5695			
14	Stop fire cap	1	5692			
15	Stop pin	1	3036			
15A	Stop fire assembly (complete)	1	5691			
16	Firing pin	1	5698		5690	
17	Trigger	1	5689			
18	Extractor plunger	1	5636			
19	Plunger spring	1	5637			
20	Extractor	1	5651R		5638	
21	Lock washer	1	5639			
22	Pull bush	1	5640			
23	Pull split bush (pair)	1	5641			
24	Pull lock O-ring	1	5642			
25	Rubber pull spring	1	5710			
26	Breech locking cover	1	5664			
27	Spring cap	1	5696			